



DEZZI DL60C WHEEL LOADER



BUILT AFRICA TOUGH

machinesales@dezzi.co.za

www.dezzi.co.za



DEZZI DL60C WHEEL LOADER

SPECIFICATION SHEET

*Desmond Equipment SA (Pty) Ltd reserves the right to modify specifications without notice.

DEZZI DL60C WHEEL LOADER

ENGINE

| | |
|-------------------|--|
| Model | Weichai WD10G |
| Type | Water-cooled, in line, turbocharged, high pressure common rail |
| No. of cylinders | 6 |
| Emission standard | Tier 2 |
| Displacement | 9.726L |
| Rated power | 162kW/2000rpm |

PERFORMANCE OF LOADER

| | |
|---|-------------------|
| Tipping Load-Full turn | 11000kg |
| Max. breakout force | 185kN |
| Maximum dump angle at full height | 45° |
| Dump clearance at full height discharge | 3050mm |
| Dump reach at full height discharge | 1185mm |
| Height of boom pin shaft | 4100mm |
| Digging depth | 116mm |
| Bucket capacity | 3.3m ³ |
| Operating weight | 18290kg |

TRANSMISSION SYSTEM

| | |
|-----------------------------|-------------------------|
| Transmission type | Planetary, power shift |
| Torque converter | Single-stage, 4-element |
| Max. travel speed (forward) | 39km/h |
| Max. travel speed (reverse) | 15km/h |
| Forward gears | 2 |
| Reverse gear | 1 |

DRIVE AXLE

| | |
|--------------------------------------|--------------|
| Type of front axle differential lock | Conventional |
| Type of rear axle differential lock | Conventional |
| Swing angle of rear axle | ±12° |

STEERING SYSTEM

| | |
|--------------------------|------------------|
| Type of steering system | Articulated type |
| Steering system pressure | 16Mpa |

BRAKE SYSTEM

| | |
|-------------------------|------------------------|
| Service brake type | Wet brake |
| Service brake mode | Air over hydraulic |
| Parking brake type | Flexible shaft control |
| Parking brake actuation | Air brake |

TYRES

| | |
|-----------|------------|
| Tyre size | 23.5-25 L3 |
|-----------|------------|

HYDRAULIC SYSTEM

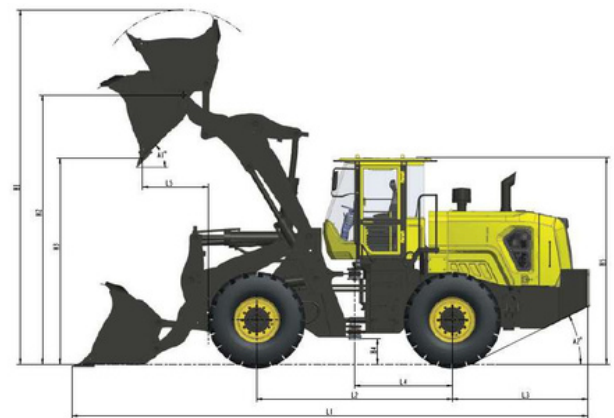
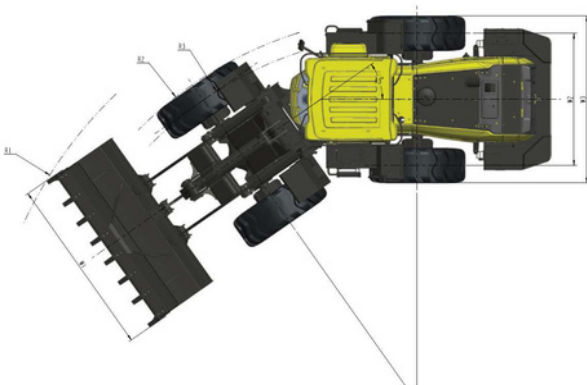
| | |
|----------------------|-------|
| Main pump type | Gear |
| Main relief pressure | 18Mpa |
| Boom lift time | 5.1s |
| Total cycle time | 10.2s |

SERVICE CAPACITIES

| | |
|--------------------------|-------|
| Fuel Tank | 300L |
| Hydraulic oil tank | 170L |
| Engine oil | 21L |
| Drive axle (single side) | 27x2L |
| Transmission | 45L |
| Antifreeze | 50L |

DIMENSIONS (mm)

| | | |
|---|---|--------|
| A | Vehicle length | 8380mm |
| B | Vehicle width | 3066mm |
| C | Vehicle height | 3450mm |
| D | Wheelbase | 3300mm |
| E | Wheel track | 2250mm |
| F | Min. ground clearance | 430mm |
| G | Steering angle | 35° |
| H | Turning radius (outer side of front tyre) | 6685mm |
| I | Turning radius (centre of front tyre) | 6385mm |
| J | Turning radius (outer edge of bucket) | 7280mm |



BUILT AFRICA TOUGH

CALL : 0800 DEZZI / 33994

Head Office: +27 (0)39-685 4100

Email: machinesales@dezzi.co.za

www.dezzi.co.za