



# DEZZI DL30C WHEEL LOADER



**BUILT AFRICA TOUGH**

[machinesales@dezzi.co.za](mailto:machinesales@dezzi.co.za)

[www.dezzi.co.za](http://www.dezzi.co.za)



# DEZZI DL30C WHEEL LOADER

## SPECIFICATION SHEET

\*Desmond Equipment SA (Pty) Ltd reserves the right to modify specifications without notice.

### DEZZI DL30C WHEEL LOADER

#### ENGINE

Model	Weichai WP6G
Type	Water-cooled, in line, turbocharged

No. of cylinders	6
Emission standard	Tier 2
Displacement	6,75L
Rated power	92kW/2200rpm

#### PERFORMANCE OF LOADER

Rated load	3000kg
Max. breakout force	105kN
Unloading angle	45°
Unloading height	3057mm
Unloading distance	906mm
Height of boom pin shaft	3975mm
Digging depth	30mm
Bucket capacity	1, 8m <sup>3</sup>
Operating weight	10800kg

#### TRANSMISSION SYSTEM

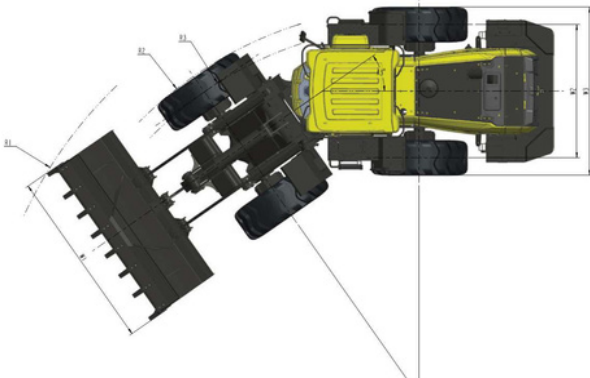
Transmission type	Planetary box
Torque converter	Single-stage, 4-element
Max. travel speed (forward)	38km/h
Max. travel speed (reverse)	16.4km/h
Forward gears	2
Reverse gear	1

#### DRIVE AXLE

Type of front axle differential lock	Common differential
Type of rear axle differential lock	Common differential
Swing angle of rear axle	±12°

#### STEERING SYSTEM

Type of steering system	Articulated type
Steering system pressure	16Mpa



#### BRAKE SYSTEM

Service brake type :	Caliper brake type
Service brake mode :	Air-over-hydraulic brake
Parking brake type :	Flexible shaft control
Parking brake mode :	Mechanical caliper disc type

#### TYRES

Tyre size	17.5-25/12PR
-----------	--------------

#### HYDRAULIC SYSTEM

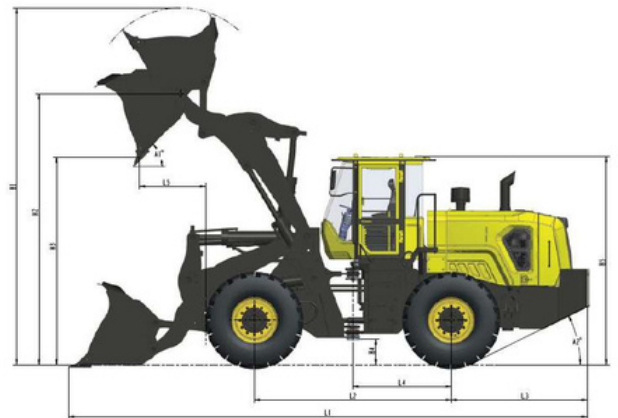
Pump	Gear pump
System pressure	14Mpa
Boom lift time	5.1s
Total cycle time	9s

#### SERVICE CAPACITIES

Fuel Tank	150L
Hydraulic oil tank	160L
Engine oil	16L
Drive axle (single side)	18x2L
Transmission	38L
Anti-freeze	26L

#### DIMENSIONS (mm)

A	Vehicle length	7292mm
B	Vehicle width	2494mm
C	Vehicle height	3235mm
D	Wheel base	2900mm
E	Wheel track	1856mm
F	Min. ground clearance	350 mm
G	Steering angle	38°
H	Turning radius (outer side of front tyre)	5415mm
I	Turning radius (centre of front tyre)	5190mm
J	Turning radius (outer edge of bucket)	6036mm



BUILT AFRICA TOUGH

CALL : 0800 DEZZI / 33994

Head Office: +27 (0)39-685 4100

Email: machinesales@dezzi.co.za

www.dezzi.co.za