



DEZZI MG80T MOTOR GRADER



BUILT AFRICA TOUGH

machinesales@dezzi.co.za

www.dezzi.co.za



DEZZI MG80T MOTOR GRADER

SPECIFICATION SHEET

*Desmond Equipment SA (Pty) Ltd reserves the right to modify specifications without notice.

ENGINE

TYPE : JCB
 MODEL : 444T Turbocharged
 CAPACITY : 4.4 Litres
 POWER : 101Hp (75KW) @ 2200 RPM
 TORQUE : 425NM, @ 1300 RPM

TRANSMISSION

TYPE : ITL
 MODEL : PS 750
 GEARING : Constant mesh
 Full power with shift modulation
 GEARS : Forward - 4
 Reverse - 4
 SPEED : 40Km/H
 TORQUE CONVERTER : Single phase 3 element

AXLES

FRONT : Dezzi pivoting, steering axle
 REAR : ITL PD87

TYRES

FRONT : 10.5 x 16
 REAR : 600/65 R34 1800 x 25 (optional)

BRAKES

TYPE
 • Inboard, wet-sealed brake discs on rear wheels
 PARK BRAKE
 • Mechanically applied disc brake on the drive line

HYDRAULICS

OIL CAPACITY : 60 Liters
 PUMPS : Fixed displacement gear driven
 WORKING PRESSURE : 1 600Psi (11MPa)
 Full flow filtration

STEERING

• Fully hydraulic orbital controlled steering with double-acting cylinder
 • Full flow filtration
 • Turning radius : 8.2m
 • Axle oscillation angle : 18° in each direction

ELECTRICS

VOLTAGE : 12 Volt
 BATTERY : 1 x 12 Volt
 ALTERNATOR : 12 Volt / 70 Amp

CAB

- Fully enclosed lockable cab
- Fully adjustable, weight compensating operator seat with built in suspension and seat belt
- Full road ordinance lighting and indicators
- Rubber mat floor covering
- Roof mounted ventilation fan • Air-conditioning optional

SERVICE CAPACITIES

COOLING SYSTEM : 32 Litres
 ENGINE CRANKCASE : 16 Litres
 REAR AXLE DIFFERENTIAL : 16 Litres
 TRANSMISSION : 15 Litres
 DIESEL TANK : 70 Litres
 HYDRAULIC SYSTEM : 60 Litres
 PLANETARY HUB : 2.5 Litres each end

OPERATIONAL WEIGHTS

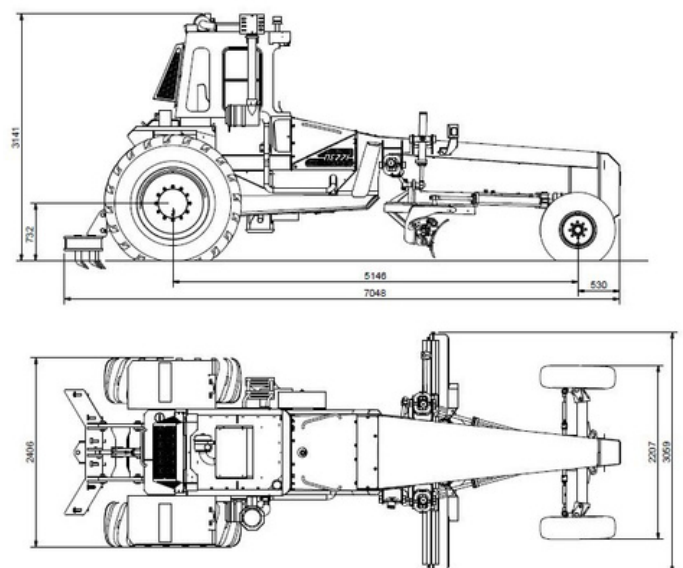
FRONT AXLE : 2 400kg
 REAR AXLE : 4 940kg
 TOTAL : 7 340kg

BLADE SPECS

LENGTH : 3 050mm
 HEIGHT : 490mm (including cutting edge)
 THICKNESS : 16mm
 CIRCLE ROTATION : 45° either side
 BLADE LIFT : 280mm
 BLADE DIG : 250mm
 BANK SLOPE ANGLE : 17° either side

SCARIFIER

SCARIFIER WIDTH : 1 600mm
 SCARIFIER DIG DEPTH : 350mm



BUILT AFRICA TOUGH



CALL : 0800 DEZZI / 33994

Head Office: +27 (0)39-685 4100

Email: machinesales@dezzi.co.za

www.dezzi.co.za