



DL98C 4x4 CANE SLEW LOADER



BUILT AFRICA TOUGH

machinesales@dezzi.co.za

www.dezzi.co.za



DL98C 4x4 CANE SLEW LOADER

SPECIFICATION SHEET

*Desmond Equipment SA (Pty) Ltd reserves the right to modify specifications without notice.

ENGINE

TYPE : Cummins 142kW
 MODEL : QSB 6.7
 CAPACITY : 6.7 Litres
 POWER : 190Hp @ 2500 RPM
 APPROXIMATE FUEL BURN :
 10 – 12 L/hr heavy cycle
 8 – 10 L/hr light cycle

TRANSMISSION

TYPE : ZF
 MODEL : 2HL290
 2 speed hydraulic drive with low range for push piling / loading

MAXIMUM SPEED
 Low range 0-9km/ph High range 0-35 km/ph

AXLES

FRONT : Planetary rigid axle
 REAR : Planetary steer axle

TYRES

STANDARD TYRES : 620/75 R26

BRAKES

Dry disc caliper SAHR parking / emergency brake
 Service brakes - wet disc brakes

STEERING

- Rear axle steering 28-35°
- Fully hydraulic powered with flow controlling system
- Full flow filtering

STEERING HYDRAULICS

- Two 76.2 mm bore x 250 mm stroke double acting cylinders
- Orbital controlled
- Working pressure – 2400 Psi

ELECTRICS

VOLTAGE : 12 Volt
 BATTERY : 2 x 12 Volt
 ALTERNATOR : 12 Volt / 70 Amp

CAB

- Spacious cabin with seat-mounted soft touch joystick controls
- Suspension seat
- Fully enclosed and lockable
- Rotating orange beacon light
- Airconditioning as standard
- Improved operator visibility
- Front & rear night working lights

OPERATIONAL WEIGHTS

OPERATING WEIGHT : 12 800 kg
 TURNING CIRCLE : 8 340mm radius outside wheel

SERVICE CAPACITIES

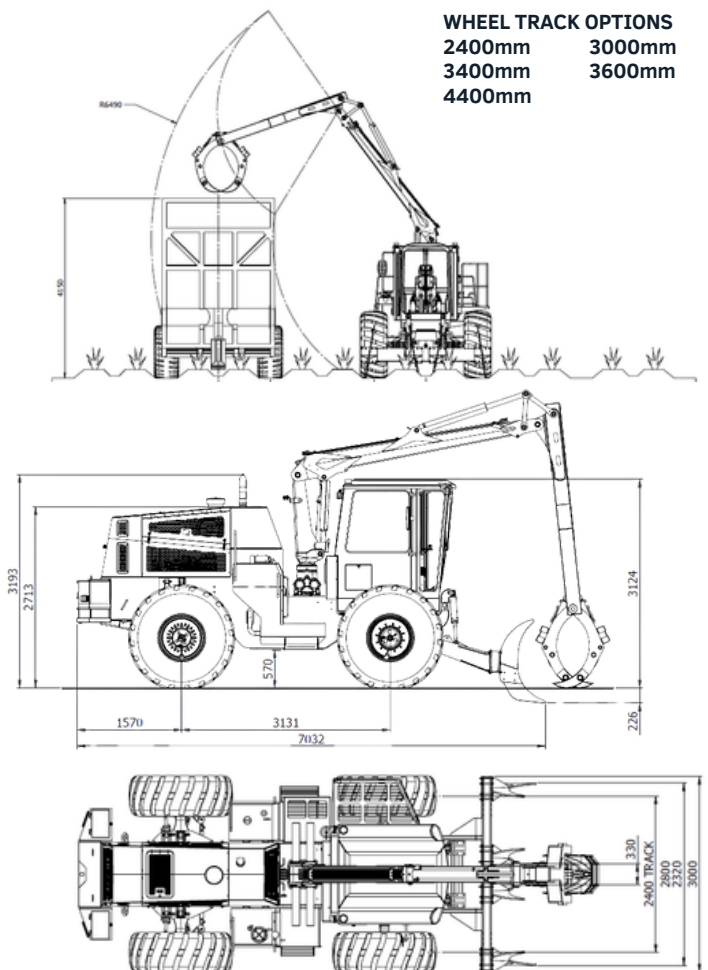
COOLING SYSTEM : 32 Litres (50% anti-freeze)
 ENGINE CRANKCASE : 16 Litres
 DIFFERENTIALS : 28 Litres (per differential)
 TRANSMISSION : 26 Litres
 DIESEL TANK : 420 Litres
 HYDRAULIC SYSTEM : 420 Litres (Tank Only)
 500 Litres (Total System)
 PLANETARY HUB : 6 Litres (per planetary)

LOADING SYSTEM

- Heavy duty high cycle, forestry type crane with 190° loading angle
- Improved loading system on grab for better control
- Overhead mounted stick cylinder to protect against damage while loading
- High capacity 0.8 – 0.9 m3 cane grapple

PUSH PILER

- Hydraulically operated from cab
- Free-floating design
- 4 Fully adjustable tynes



BUILT AFRICA TOUGH



CALL : 0800 DEZZI / 33994

Head Office: +27 (0)39-685 4100

Email: machinesales@dezzi.co.za

www.dezzi.co.za