



DH160B 3-WHEEL BRICK HANDLER



BUILT AFRICA TOUGH

machinesales@dezzi.co.za
www.dezzi.co.za



DH160B 3-WHEEL BRICK HANDLER

SPECIFICATION SHEET

*Desmond Equipment SA (Pty) Ltd reserves the right to modify specifications without notice.

ENGINE

MAKE : Deutz F4L912
POWER : 62Hp (46KW) / 230NM @ 1600RPM
RPM : Governed @ 2000RPM
MOUNTING : 6 Point Rubber Mounting
SAFETY : Mechanical shut-off

WHEEL DRIVE SYSTEM

WHEEL MOTOR : Poclairn MS18 2000cc
WHEEL TORQUE : 13 300 NM per Wheel

DRIVE PUMP

MODEL : Poclairn - PM50 Tandem
OPERATOR CONTROL : Servo Foot Pedal Valve
DISPLACEMENT : 45cc Per Side
RELIEF VALVE : 350 Bar
CHARGE PUMP : Integrated Gear Pump
CHARGE PRESSURE : 25 Bar
DRIVE COUPLING : HD Guardex 65

WHEELS

TYRES FRONT : 17.5 x 25 L4
RIM FRONT : 14-25 3 Piece
TYRE REAR : 400/60 x 15.5 High floatation
RIM FRONT : 13 x 15.5 Reinforced 1pc

BRAKES

PARK BRAKE RELEASE : 18 Bar Hydraulic Pressure
TYPE : Multi Disc Spring Applied
SERVICE BRAKE : Hydrostatic Foot Pedal Control

HYDRAULICS

HYDRAULIC TANK TYPE : Frame Tubing Integrated
HYDRAULIC OIL COOLING : Electric Fan Hydraulic Cooler

IMPLEMENT HYDRAULICS

PUMP TYPE : Gear Pump Driven
FUNCTION VALVE : Open Centre Valve with Port Relief

CAB (STANDARD)

TYPE : Open - No doors
PROTECTION : HD removable front guard
SEAT BELT : Suspended Lap Belt; 4 Point Harness Optional

CAB (AIR-CONDITIONED)

TYPE : Sealed-Frame Integrated
HVAC SYSTEM : 12V Fan, Engine Belt Driven Aircon Compressor
SEAT BELT : Suspended Lap Belt; 4 Point Harness Optional
WINDOWS : Glazed windscreen with wiper, glazed operator door windows
PROTECTION : HD removable windscreen guard; removable operator door window guards

OPERATIONAL WEIGHTS

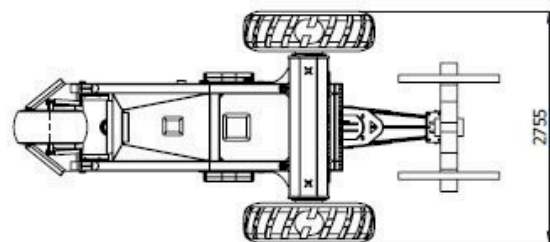
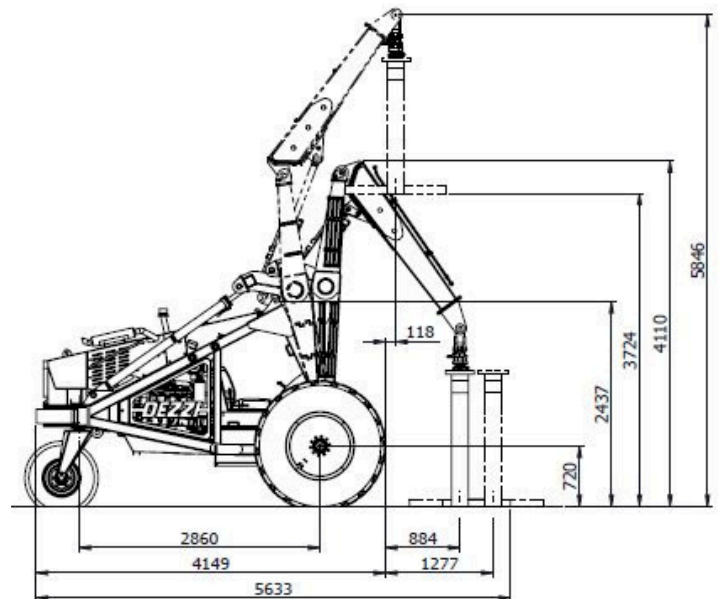
FRONT UNLADEN : 4 650kg
REAR UNLADEN : 2 730kg
TOTAL UNLADEN : 7 380kg
LIFTING CAPACITY : 1 600kg

SERVICE CAPACITIES

FUEL TANK TYPE : Bolt Mounted on Frame
FUEL TANK CAPACITY : 85L

ATTACHMENT

- BRICK GRAB
- 5 TON ROTATOR



BUILT AFRICA TOUGH



CALL : 0800 DEZZI / 33994

Head Office: +27 (0)39-685 4100

Email: machinesales@dezzi.co.za

www.dezzi.co.za