



# D1200T WHEEL LOADER



**BUILT AFRICA TOUGH**

[machinesales@dezzi.co.za](mailto:machinesales@dezzi.co.za)

[www.dezzi.co.za](http://www.dezzi.co.za)

# D1200T WHEEL LOADER

## SPECIFICATION SHEET

\*Desmond Equipment SA (Pty) Ltd reserves the right to modify specifications without notice.

### ENGINE

TYPE : JCB  
 MODEL : 444T Turbocharged  
 CAPACITY : 4.4 Litres  
 POWER : 101Hp (75kW) @ 2400 RPM  
 TORQUE : 425Nm @ 1300 RPM

### TRANSMISSION

TYPE : ZF  
 MODEL : 4WG130  
 • Four speed power shift transmission with modulated directional clutch.  
 • Driven via converter from engine.  
 • With auto kick down  
 MAXIMUM SPEED IN GEARS :

	FIRST	SECOND	THIRD	FOURTH
FORWARD (km/h)	4.9	10.6	15.6	25.0
REVERSE (km/h)	5.2	8.6	16.3	-

### AXLES

TYPE : ITL  
 MODEL : PD87  
 • Front axle fixed, rear axle oscillates through 12°  
 • Double reduction drives with standard differentials driving all four wheels

### TYRES

STANDARD TYRES : 17.5 x 25 L3

### BRAKES

SERVICE BRAKE  
 • Inboard, sealed, wet brakes activating all four wheels  
 • Fully hydraulically activated with fail safe  
 • Brakes are activated by use of one brake pedal  
 PARK BRAKE  
 • Mechanical type brake acting on the drive shaft  
 • Operator engages manually

### STEERING

• Centre pivot - frame articulation  
 • Fully hydraulic-powered with flow controlling system  
 • Full flow filtering  
 • Steering angle - 35° in each direction

### ELECTRICS

VOLTAGE : 24 Volt  
 BATTERY : 2 x 12 Volt  
 ALTERNATOR : 24 Volt / 55 Amp

### LOADER HYDRAULIC SYSTEM

• Closed system with pressure control  
 • Fixed displacement gear type pump  
 • Full flow filtering - Max flow 135 L/min

### MAIN HYDRAULICS

• Two 114.3mm bore x 748.5mm stroke double acting cylinders  
 • Working pressure - 2300 Psi

### TILT HYDRAULICS

• Two 101.6mm bore x 420mm stroke double acting cylinders  
 • Working pressure - 2 300 Psi

### CAB

• Fully adjustable mechanical seat with arm rests  
 • ROPS / FOPS Certified  
 • Front Wipers  
 • Roof-mounted ventilation fan with filters  
 • OPTION - Air-conditioner with filters  
 • Noise Level 85db

### SERVICE CAPACITIES

COOLING SYSTEM : 28 Litres (50% anti-freeze)  
 ENGINE CRANKCASE : 16 Litres  
 DIFFERENTIALS : 12 Litres  
 TRANSMISSION : 30 Litres  
 DIESEL TANK : 180 Litres  
 HYDRAULIC SYSTEM : 185 Litres (Tank only)  
 200 Litres (Total System)  
 PLANETARY HUB : 2.5 Litres (per planetary)

### OPERATIONAL WEIGHTS

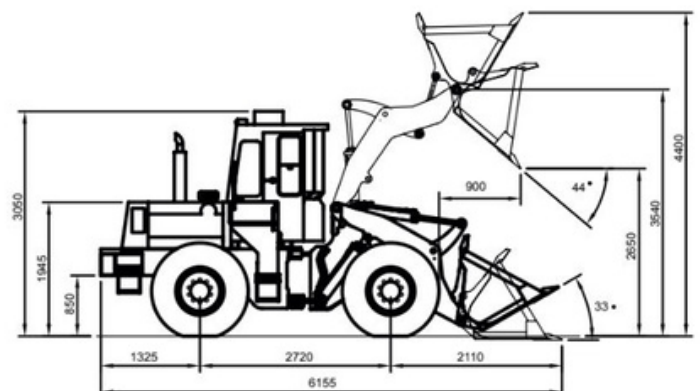
OPERATING WEIGHT : Front Axle : 3 660kg  
 Rear Axle : 4 380kg  
 Total : 8 040kg  
 BREAKOUT FORCE : 8 270kg  
 STATIC TIPPING LOAD : Straight - 5 820kg  
 Full turn 35° - 5 275kg  
 TURNING CIRCLE : 6 050mm radius outside bucket

### BUCKET SPECIFICATIONS

GENERAL PURPOSE BUCKET : 1.5 m3  
 BUCKET WIDTH : 2 300mm

### BUCKET CONTROLS

• Hydraulic, pilot operated by use of single lever joystick on right side of operator seat.



Machine width (mm) - 2300

**BUILT AFRICA TOUGH**



**CALL : 0800 DEZZI / 33994**

Head Office: +27 (0)39-685 4100

Email: [machinesales@dezzi.co.za](mailto:machinesales@dezzi.co.za)

[www.dezzi.co.za](http://www.dezzi.co.za)