



DEZZI CMI 940 WHEEL LOADER



BUILT AFRICA TOUGH

machinesales@dezzi.co.za

www.dezzi.co.za



DEZZI CMI 940 WHEEL LOADER

SPECIFICATION SHEET

*Desmond Equipment SA (Pty) Ltd reserves the right to modify specifications without notice.

ENGINE

TYPE : John Deere
 MODEL : Tier III 6068HF285
 CAPACITY : 6.8 Litres
 POWER : 173Hp (129KW) @ 2200 RPM
 TORQUE : 714NM, @ 1500 RPM

TRANSMISSION

TYPE : ZF
 MODEL : Powershift
 • Full Autoshift and automatic kick down

MAXIMUM SPEED IN GEARS : 4 Forward - 3 Reverse

	FIRST	SECOND	THIRD	FOURTH
FORWARD (km/h)	6.8	13.3	23.5	40.0
REVERSE (km/h)	7.2	14.0	24.5	-

AXLES

TYPE & MODEL : Front Axle : ZF MTL 3075 ||
 Rear Axle : ZF MTL 3085 ||
 • Front axle fixed, real axle oscillates through 24°
 • Self adjusting high torque internal wet multi disc service brake
 • Limited-slip front and rear differentials

TYRES

STANDARD TYRES : 20.5 - 25

BRAKES

SERVICE BRAKE
 • Inboard, sealed, wet brakes activating all four wheels
 • Fully hydraulically activated with fail safe
 • Brakes are activated by use of one brake pedal
PARK BRAKE
 • Mechanical type brake acting on the drive shaft
 • Operator engages manually

STEERING

• Centre pivot - frame articulation
 • Fully hydraulically powered with flow controlling system
 • Full flow filtering
 • Steering angle - 40° in each direction

ELECTRICS

VOLTAGE : 24 Volt
 BATTERY : 2 x 12 Volt
 ALTERNATOR : 24 Volt / 70 Amp

LOADER HYDRAULIC SYSTEM

• Closed system with pressure control
 • Load sensing with axial piston pump
 • Full flow filtering - Max Flow 176 L/min

LIFT HYDRAULICS

• Two 130mm bore x 696mm stroke double-acting cylinders
 • Working pressure - 2400 Psi

TILT HYDRAULICS

• Single 140mm x 540mm stroke double acting cylinder
 • Working pressure - 2400 Psi

CAB

• Fully adjustable mechanical seat with arm rests
 • ROPS / FOPS Certified
 • Tilt adjustable steering column
 • Air-conditioner with filters
 • Fully-equipped instrument panel with visual and audible warnings

SERVICE CAPACITIES

COOLING SYSTEM : 38 Litres (50% anti-freeze)
 ENGINE CRANKCASE : 19 Litres
 DIFFERENTIALS - FRONT : 26 Litres
 DIFFERENTIALS - REAR : 26 Litres
 TRANSMISSION : 21 Litres
 DIESEL TANK : 225 Litres
 HYDRAULIC SYSTEM : 118 Litres
 PLANETARY HUB : 6 Litres (per planetary)

OPERATIONAL WEIGHTS

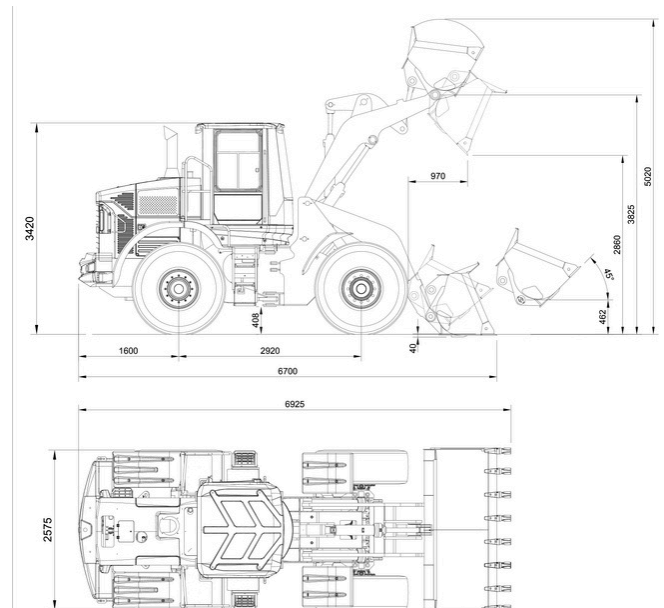
OPERATING WEIGHT : Total - 13 940kg
 BREAKOUT FORCE : 12 600kg
 STATIC TIPPING LOAD : Straight - 11 500kg
 Full turn 40° - 10 570kg
 TURNING CIRCLE : 6 650mm radius outside bucket

BUCKET SPECIFICATIONS

GENERAL PURPOSE BUCKET : 2.5m3
 BUCKET WIDTH : 2 600mm

BUCKET CONTROLS

• Hydraulic, pilot-operated by use of single lever joystick on right side of operator seat.
 • Bucket return-to-dig with automatic kickout



BUILT AFRICA TOUGH



CALL : 0800 DEZZI / 33994

Head Office: +27 (0)39-685 4100

Email: machinesales@dezzi.co.za

www.dezzi.co.za