



DEZZI AD30B ARTICULATED DUMP TRUCK

6X6



BUILT AFRICA TOUGH

Designed & Manufactured in South Africa

www.dezzi.co.za



AD30B ARTICULATED DUMP TRUCK

SPECIFICATION SHEET

*Desmond Equipment SA (Pty) Ltd reserves the right to modify specifications without notice.

ENGINE

TYPE : Cummins
 MODEL : QSB 275 - TIER 3
 CAPACITY : 6.7 Liters
 POWER : 205kW @ 2200RPM
 TORQUE : 990Nm @ 1500RPM

TRANSMISSION

TYPE : ZF
 MODEL : 6WG210
 GEARING : Constant mesh counter shaft with integral drop box
 GEARS : Forward - 6
 Reverse - 3
 SPEED : 42Km/H
 TORQUE CONVERTER : Single phase 3 element, lock-up clutches effective in all gears. Downshift protection.

AXLES

FRONT : ZF MT-D 3095 axle - with self leveling air-ride suspension
 REAR : Dezzi tandem-drive free-swinging walking beam.
 Rockwell differential with reduction in tandem.
 Heavy duty SAHR park brake.

TYRES

FRONT : 23.5 R25 REAR : 23.5 R25

BRAKES

FRONT WHEELS : Sealed outboard wet disc brakes
 REAR WHEELS : Dry disc caliper brakes
 PARK BRAKE : Failsafe spring-applied hydraulic release

FRAME

Heavy duty robust frame, front and rear with tube type oscillation, adjustable

STEERING

- Articulated with 36 degree steering angle either side
- Load-sensing, orbital-controlled
- Ground driven emergency steering

ELECTRICS

VOLTAGE : 24 Volt
 BATTERY : 2 x 12 Volt sealed type
 ALTERNATOR : 24 Volt / 70 Amp

HYDRAULIC SYSTEM

OIL CAPACITY : 160 Liters
 PUMPS : Variable displacement piston pump
 WORKING PRESSURE : Steering - 13.7 Mpa
 Tipping - 17 Mpa
 Full flow filtration

CAB

- Fully adjustable weight compensation suspension seat with seat belt
- ROPS and FOPS certified
- Windscreen wiper
- Rotating orange beacon light
- Interior dome light
- Rubber mounted
- Fully enclosed and lockable
- Rear cab night working light
- Trainer-driver seat

SERVICE CAPACITIES

COOLING SYSTEM : 50 Liters
 ENGINE CRANKCASE : 21 Liters
 FRONT DIFFERENTIAL : 36 Liters
 FRONT PLANETARY HUBS : 8 Liters per side
 REAR TANDEM DRIVE : 220 Liters
 TRANSMISSION : 18 Liters
 DIESEL TANK : 250 Liters

OPERATIONAL WEIGHTS

	Tare	Gross	Payload
FRONT AXLE :	8 640	13 640	4 720
MIDDLE AXLE :	5 280	17 630	12 490
REAR AXLE :	5 280	17 630	12 490
TOTAL :	19 200	48 900	29 700

STANDARD EQUIPMENT

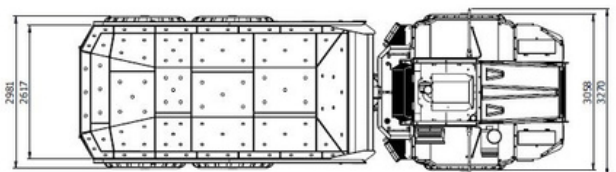
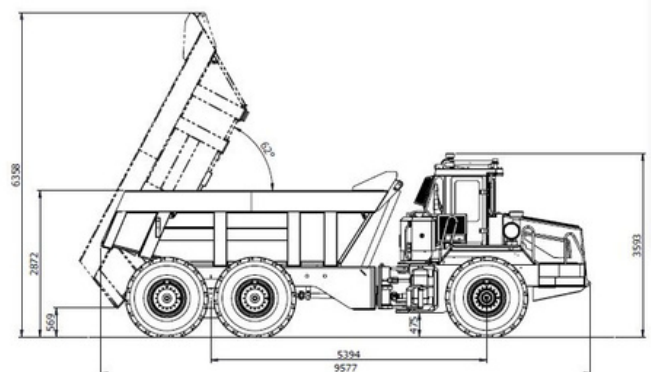
- Emergency braking (front & rear)
- Hinged belly plate under engine
- Rear window guard
- Tinted windows
- Dash board with full instrumentation
- Air-conditioner
- Bin up alarm

TIPPING TIMES (APPROXIMATE)

UP : 8.2 Seconds DOWN : 7.1 Seconds

LOAD BIN VOLUMES

SAE 1:1 : 20,0m3 SAE 2:1 : 16,5m3 STRUCK : 13,0m3



BUILT AFRICA TOUGH



CALL : 0800 DEZZI / 33994

Head Office: +27 (0)39-685 4100

Email: machinesales@dezzi.co.za

www.dezzi.co.za